

AUTOMOTIVE TESTING

WLTP COMPLIANT WIND SIMULATORS
FOR AUTOMOTIVE TESTING



TANGENTIAL MODEL

WE CREATE AIR, PERFORMANCE, SILENCE

WHY RIMOR?

Rimor has developed, over the years, a great experience in the field of automotive testing industry, fans and machinery for roller dynamometers, climatic cell. We worked with Italian and European companies such as: AVL, Angelantoni S.p.A, Control System, Flexider, Sixtau S.p.A, Simpesfaip S.p.A, Magneti Marelli, Fiat FPT, Iveco, Husqvarna Motorcycles, AVL China and Automobili Lamborghini.

Nowadays, Rimor designs and manufactures: wind simulators for chassis dynamometers, wheeled coolers for hot spots, exhaust gas suction systems with valves and soundproof fans for high temperatures, testing systems for flexible connections between engine and converter, filtration systems for braking test, complete intake and outlet equipment for climatic chambers.

WHAT'S RECUBE SYSTEM: THE NEW GENERATION OF VENTILATION SYSTEMS

Recube is a new ventilation system made by Rimor. Recube is a new concept in industrial ventilation and processes that involves air: Leader recognized system in many industries fields.

Rimor has more than 100 installations made in Automotive Fields: Melfi, Pomigliano Fiat Serbia, Pernambuco with its technologies.

PAT. NO. T02015A000163
DE 102016104491.1



ADVANTAGES

Durability of electric motors for vertical position – low sound emissions – velocity and agility of maintenance.

THE HEART



RECUBE PLUG FAN

Ventilation unit with linear profile of body – soundproofed – with free room in inlet and special possibility of entrance and exit.

HUMIDITY, FILTRATION AND TEMPERATURE CONTROL



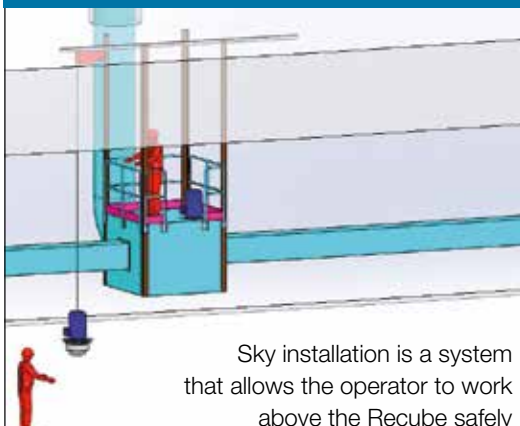
FLOW MEASUREMENT



MIXING BODY

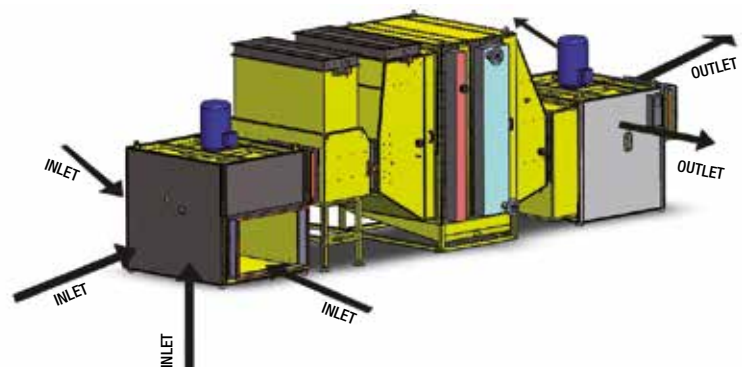


SKY INSTALLATION



Sky installation is a system that allows the operator to work above the Recube safely

THE AGILITY OF THE SOLUTION



WIND SIMULATORS FOR CHASSIS DYNAMOMETERS

Many years of experience have allowed us today to manufacture a complete range of wind simulators that can generate air speeds up to 300 km/h. All simulators are WLTP compliant.

CENTRIFUGAL MODEL



AXIAL MODEL

WALL FANS



MOBILE FANS



HOT SPOT FANS

Centrifugal wheeled systems used in automotive testing room for cooling cars/motorcycles' spots that warm up in the right working test.



HIGH TEMPERATURE FAN FOR GAS EXTRACTION, RECUBE AND VALVES



TESTING OF LAMBDA AND EGT UP TO 1000°C



TESTING OF FLEXIBLE JOINT, EXHAUST SYSTEMS, TURBINE



System for simulation of working conditions with hot air for exhaust manifold testing.

The airflow generated goes up to 1000°C 1BAR

It's possible to realize the TUV and PED certification for the machine.

OUR EXPERTISE

MORE THEMES WITH ONE PARTNER

INDUSTRIAL FAN AND FURNACE AGITATORS



AIR FILTRATION SYSTEMS



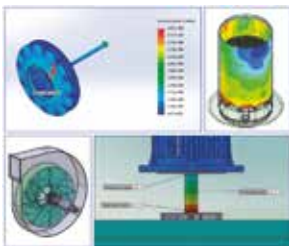
RECUBE SYSTEM®, ENERGY RECOVERY UNIT FOR VENTILATION AND HEATING



CONDITIONING AND HUMIDITY REMOVAL UNIT



ENGINEERING AND SIMULATIONS



SOUNDROOF CABINS ROTOCABE®



SOUNDPROOF CABINS



PLANTS AND MAINTENANCE



DISTRIBUTION AND CONSULTING



VALVES



SANDBLASTING, METALIZATION AND PAINTING PLANT



TRASPORT AND TRIM SHREDDING



CONTROL PANELS



AUTOMOTIVE TESTING



UNCONVENTIONAL AIR DESIGN

- SECTOR: AUTOMOTIVE: TESTING; CLIMATIC CHAMBERS, TESTING SOLUTIONS
- SECTOR: CONCRETE BLOCKS
- SECTOR: MINING AND TUNNEL VENTILATION
- SECTOR: PRINTING & CONVERTING
- SECTOR: HIGH TEMPERATURE AND FURNACE FANS
- SECTOR: TRIM SUCTION AND SHREDDING OF IN-LINE PLASTIC FILMS
- SECTOR: GLASS MANUFACTURING
- SECTOR: WASTE / ENERGY / EMISSION
- SECTOR: BIOMASS

RIMOR VI SEGUE DALL'IDEA SINO AL PRODOTTO FINITO



MAIN INDUSTRIES

- AUTOMOTIVE
- CHEMICAL & PHARMACEUTICAL
- ENERGY / COMPOST / SYNGAS / BIOMASS
- HIGH TEMPERATURE & FURNACE FANS
- GLASS TREATMENT
- THERMAL TREATMENT
- OIL & GAS
- PRINTING & CONVERTING
- TRIMS SUCTION & SHREDDING

ENGINEERING - PRODUCTION - DISTRIBUTION